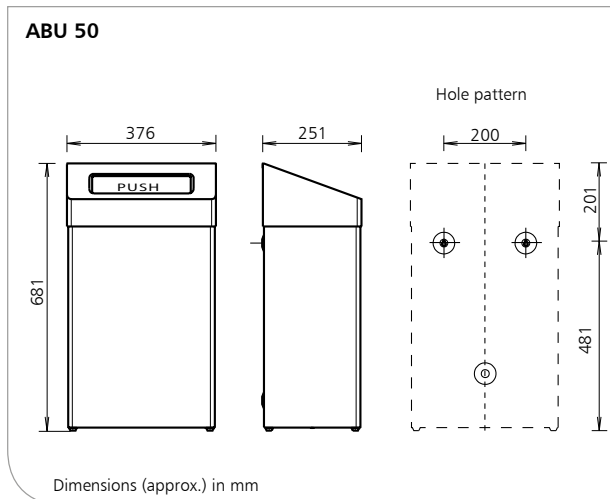
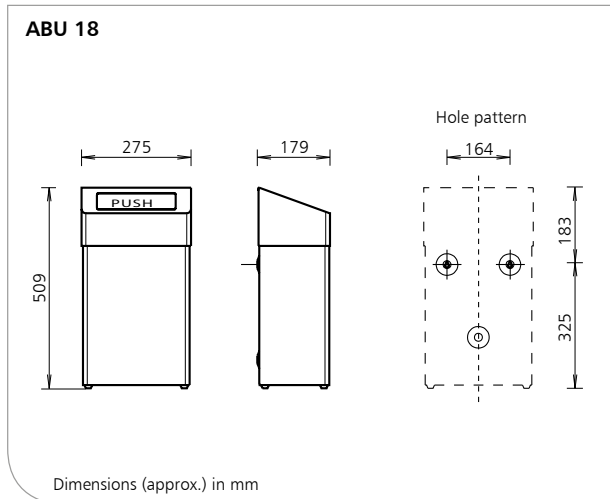


ABU 18 - ABU 50

Closed waste bin, with self-closing, maintenance-free lid, stainless steel (AFP) or powder-coated, 18 liter and 50 liter



Product characteristics

- ▶ Waste bin with internal bag holder for hidden fastening of the waste bag
- ▶ Housing with sloping lid to prevent foreign objects being placed on the dispenser
- ▶ High-quality and robust stainless steel housing
- ▶ With self-closing, maintenance-free lid
- ▶ Hygienically smooth and easy-wipe surfaces
- ▶ For wall-mounting or free-standing
- ▶ Head section can be removed to replace the waste bag
- ▶ Incl. mounting kit for two-point wall mounting

Interesting information

References:

- ▶ Conference centres, exhibitions, airports, train stations, catering, retirement/care homes, hospitals, laboratories, commercial kitchen, food processing, industry, shopping centres, hotels, correctional facilities, schools, kindergartens, sports centres, administration facilities

Application examples:

- ▶ Washrooms, toilets, baths, care and examination rooms, kitchens, entrance areas

Technical data

- Container: Stainless steel AISI 304, brushed with Anti-Fingerprint Coating (AFP) or powder-coated white (RAL 9010)
- Capacity: 18 liter (ABU 18), 50 liter (ABU 50)
- Wall mounting: Wall mounting with 2 screws and wall plugs

Description for tender - see overleaf

ABU 18 - ABU 50/06/18/1.1



Subject to technical modifications.



OPHARDT Hygiene-Technik GmbH + Co. KG
 Lindenau 27 | 47661 Issum | Germany
 Tel.: +49 2835 18-10 | Fax: +49 2835 18-77
 www.ophardt.com | E-Mail: planer@ophardt.com

ABU 18 - ABU 50

Closed waste bin, with self-closing, maintenance-free lid, stainless steel (AFP) or powder-coated, 18 liter and 50 liter

Description for tender ABU 18

... Pcs. **SanTRAL® ABU 18 E** Art. No. 1417450
Waste bin, 18 liter, made from brushed stainless steel with Ophardt hygiene Anti-Fingerprint Coating (AFP), self-closing, maintenance-free lid, internal bag holder, for wall-mounting and free-standing
Dimensions (W x H x D) 275 x 509 x 179 mm

... Pcs. **SanTRAL® ABU 18 P** Art. No. 1417451
Waste bin, 18 liter, white (RAL 9010) powder-coated stainless steel, self-closing, maintenance-free lid, internal bag holder, for wall-mounting and free-standing
Dimensions (W x H x D) 275 x 509 x 179 mm

Description for tender ABU 50

... Pcs. **SanTRAL® ABU 50 E** Art. No. 3400245
Waste bin, 50 liter, made from brushed stainless steel with Ophardt hygiene Anti-Fingerprint Coating (AFP), self-closing, maintenance-free lid, internal bag holder, for wall-mounting and free-standing
Dimensions (W x H x D) 376 x 681 x 251 mm

... Pcs. **SanTRAL® ABU 50 P** Art. No. 3400246
Waste bin, 50 liter, white (RAL 9010) powder-coated stainless steel, self-closing, maintenance-free lid, internal bag holder, for wall-mounting and free-standing
Dimensions (W x H x D) 376 x 681 x 251 mm

Product: **SanTRAL®**
Manufacturer: OPHARDT HYGIENE-TECHNIK GmbH + Co. KG

Compatible accessories

- ▶ ABU18: PB 2, grey plastic bags, 4x50 pcs., Art. No. 506100
- ▶ ABU50: PB 4, white plastic bags, 200 pcs., Art. No. 128100